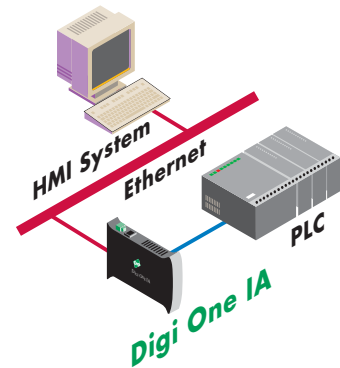


# Digi One™ IA

Device Server

The Digi One IA device server is designed for standard serial-to-Ethernet connectivity. It is ideal for industrial applications requiring simple and easy-to-use data communications.



## Features/Benefits

- > Ethernet-enable industrial serial devices
- > Industrial DIN Rail mounting
- > TCP/UDP Socket Services for broad device connectivity and application use
- > DB-9M and screw terminals for serial port connection
- > Galvanically isolated (from earth ground)
- > Class 1, Div2 rated
- > Industry leading low latency
- > EIA-232/422/485 switch selectable
- > Easy configuration through web interface (HTTP)

## Overview

The Digi One IA device server easily allows any industrial device with a serial port to be connected to the Ethernet (such as Programmable Logic Controllers, process and quality equipment, motors, drives, bar-code readers, operator displays and other types of manufacturing equipment). The compact design of the Digi One IA delivers cost-effective performance and capability in a rugged DIN Rail mountable enclosure specifically designed for the Industrial Automation market.

Part of Digi's broad device server offering, the Digi One IA delivers standard serial-to-Ethernet connectivity and is ideal for serial tunneling applications or where TCP Socket, UDP Socket, or UDP Multicast functionality is needed. The Digi One IA works with software applications using TCP/UDP Sockets allowing a serial device to interoperate with the software applications without the need to install a driver. Serial tunneling allows two previously non-networked and isolated devices to easily communicate information and operate with existing installed software applications on an Ethernet network, instead of a long serial cable.

The Digi One IA is easy to install locally or remotely through a variety of IP addressing methods (DHCP, RARP, ARP-Ping) static IP along with an application (included on the installation CD that accompanies the product) that will automatically detect all Digi One IA devices on your network. Also included is a quick-start guide that supports making the network configuration of the product easy and hassle-free.

Digi International, the leader in Connectware, makes device networking easy by manufacturing products and technologies that are cost-effective and easy to use. With over 20 million ports shipped worldwide, Digi has been offering the highest levels of performance, flexibility, and quality since 1985.



Connectware™

[www.digi.com](http://www.digi.com)

*Making*  
**DEVICE NETWORKING**  
*easy*

# Features/Specifications

## FEATURES

- TCP/UDP Socket Services
- UDP Multicast
- Telnet, Reverse Telnet and extended Telnet RFC 2217
- HTTP browser configurable
- DHCP/RARP, APR-Ping for IP Address assignment
- Flash upgradeable firmware
- 10/100Base-T Ethernet support
- DB-9M and screw terminal block serial port
- Baud rates up to 230 Kbps
- Full modem and hardware flow control
- 35mm DIN Rail mounting
- Screw terminal block power jack
- LED status for serial signals, power, Ethernet and diagnostics
- 9 - 30Vdc input

## POWER REQUIREMENTS

- 9-30Vdc @ .5 Amps max
- No power supply ships with this product.

## REGULATORY APPROVALS

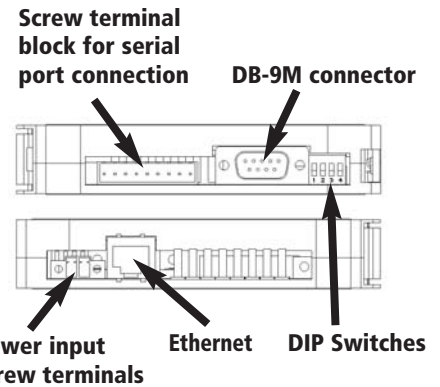
- FCC Part 15, A
- CE
- UL Class 1, Div2
- ICES-003, A
- EN55022, A
- 6100-6-2 + EN55024
- UL 1950
- CSA 22.2 No 950
- EN 60950
- AS3548

## DIMENSIONS

- Length: 4.7 in. (12 cm)
- Depth: 4 in (10.1 cm)
- Width: 0.9 in. (2.3 cm)
- Weight: 2.25 oz (64 g)

## ENVIRONMENTAL

- Ambient temperature: 0°C to 60°C (32°F to 140°F)
- Relative humidity: 5% to 90% (non-condensing)



## MODEL.....PART NUMBERS

Model	North America	International
Digi One IA	70001862	70001862

## DIGI SERVICE AND SUPPORT

You can purchase with confidence knowing that Digi is here to support you with expert technical support and a strong five-year warranty. <http://support.digi.com>

### Digi International

11001 Bren Road E.  
Minnetonka, MN 55343  
U.S.A.  
PH: 877-912-3444  
952-912-3444  
FX: 952-912-4952

### Digi International GmbH

Joseph-von-Fraunhofer Str. 23  
D-44227 Dortmund  
Germany  
PH: +49-231-9747-0  
FX: +49-231-9747-111

### Digi International (HK) Limited

Suite 1101-02, 11/F  
K Wah Centre  
191 Java Road  
North Point, Hong Kong  
PH: +852-2833-1008  
FX: +852-2572-9989

[www.digi.com](http://www.digi.com)

email:  
[info@digi.com](mailto:info@digi.com)

